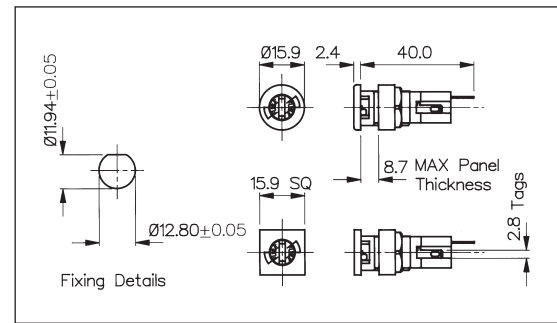


Panel Mounting and Snap Fit Touchproof, PC2

PANEL MOUNT



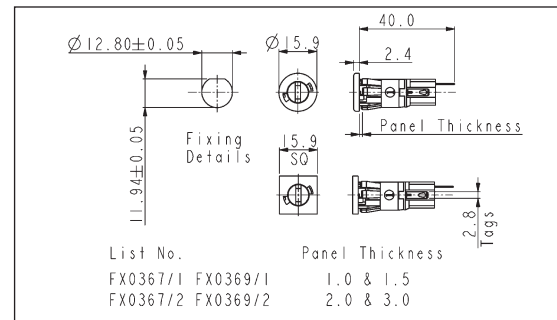
- Protection Category PC2
- Fuse Size 5 x 20mm
- Bayonet Cap/Screwdriver Release
- 10A, 250V (16A, 250V UL)



SNAP FIT TO PANEL



- Protection Category PC2
- Fuse Size 5 x 20mm
- Panel Sizes 1.0 & 1.5 and 2.0 & 3.0mm
- Bayonet Cap/Screwdriver Release
- 10A, 250V (16A, 250V UL)



Specification

FX0357, FX0359

FX0367/Panel, FX0369/Panel

| | | |
|-------------------------|---|---|
| Fuse Size: | 5 x 20mm | 5 x 20mm |
| Panel Size: | - | /1 (1.0-1.5mm panel, black sleeve) /2 (2.0-3.0mm panel, grey sleeve) |
| Fuse Carrier: | Bayonet cap/Screwdriver release | Bayonet cap/Screwdriver release |
| Terminations: | Solder tags | Solder tags |
| Max. Rating: | 10A, 250V (16A, 250V a.c. UL) | 10A, 250V (16A, 250V a.c. UL) |
| Max. Power Dissipation: | 2.5W (@ 23°C) | 2.5W (@ 23°C) |
| Insulation Resistance: | >10 ² MΩ @ 500V d.c. | >10 ² MΩ @ 500V d.c. |
| A.C. Breakdown: | 7kV @ 50Hz | 7kV @ 50Hz |
| Contact Resistance: | <10mΩ | <10mΩ |
| Operating Temp: | -20°C to +85°C (ambient air temp + fuse temp rise) | -20°C to +85°C (ambient air temp + fuse temp rise) |
| Mouldings: | | |
| Body: | Polyester UL94V-0 rated | Polyester UL94V-0 rated |
| Cap: | Nylon UL94V-0 rated | Nylon UL94V-0 rated |
| Nut: | Glass Filled Nylon UL94V-0 rated | |
| Contacts: | Brass, Silver Plated | Brass, Silver Plated |
| Approvals: | | |
| Accessories: | P.No. 11327 (See page 163) | P.No. 11327 (See page 163) |
| RoHS | Compliant | Compliant |