

# Metallized Polyester Film Capacitors

## MKT Radial Epoxy Lacquered Type

**APPLICATIONS**

Blocking and coupling. Bypass and energy reservoir

**MARKING**

C-value; tolerance; rated voltage

**DIELECTRIC**

Polyester film

**ELECTRODES**

Vacuum deposited aluminium

**COATING**

Flame retardant epoxy material (UL-class 94 V-0)

**CONSTRUCTION**

Wound mono construction

**LEADS**

Tinned wire

**CAPACITANCE RANGE (E12 SERIES)**

0.001 to 1.0  $\mu\text{F}$

**CAPACITANCE TOLERANCE**

$\pm 10\%$ ;  $\pm 5\%$

**RATED (DC) VOLTAGE**

63 V; 100 V; 250 V; 400 V; 630 V

**RATED (AC) VOLTAGE**

40 V; 63 V; 160 V; 220 V; 250 V

**CLIMATIC CATEGORY**

55/105/56

**RATED TEMPERATURE**

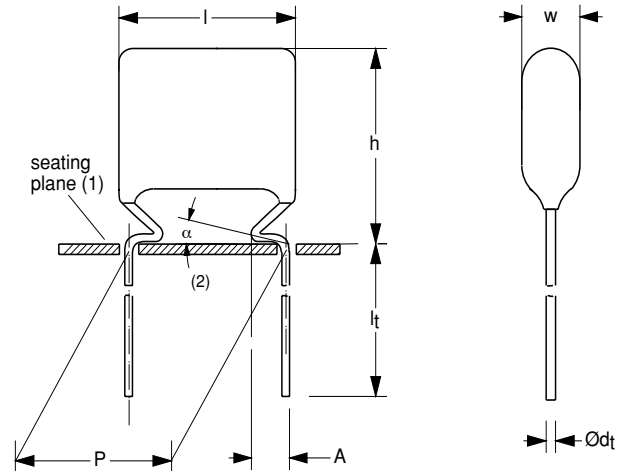
85 °C

**MAXIMUM APPLICATION TEMPERATURE**

105 °C

**REFERENCE SPECIFICATIONS**

IEC 60384-2



Dimensions in mm.

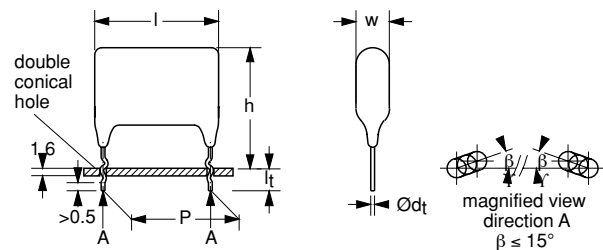
(1) Hole  $\varnothing 1.0$  for  $d_t = 0.6$  mm.

Hole  $\varnothing 1.3$  for  $d_t = 0.8$  mm.

(2)  $0 \leq \alpha < 50^\circ$ .

(3)  $A = 2.0 + 1.0/-0.5$  mm (pitch = 10.0 mm).

$A = 2.5 + 1.4/-0.5$  mm (pitch = 15.0 mm, 22.5 mm and 27.5 mm).



Dimensions in mm.

**PERFORMANCE GRADE**

Grade 1 (long life)

**FEATURES**

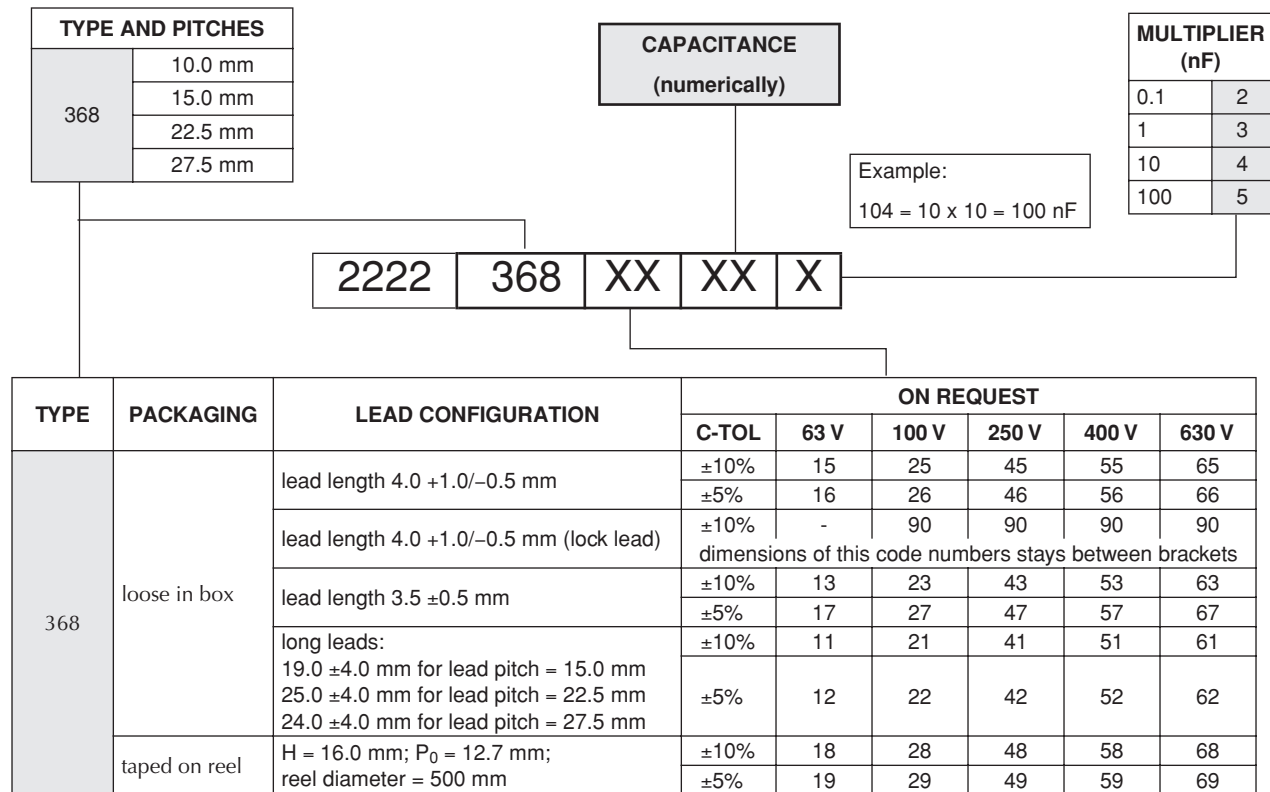
Available taped on reel and loose in box

**DETAIL SPECIFICATION**

For more detailed data and test requirements see "Type detail specification HQN-384-02/101"



## COMPOSITION OF CATALOG NUMBER



## SPECIFIC REFERENCE DATA

DESCRIPTION	VALUE				
	at 1 kHz	at 10 kHz	at 100 kHz		
Tangent of loss angle: C ≤ 0.1 μF 0.1 μF < C ≤ 0.47 μF 0.47 μF < C ≤ 1.0 μF	≤75 × 10 <sup>-4</sup>	≤130 × 10 <sup>-4</sup>	≤225 × 10 <sup>-4</sup>		
	≤75 × 10 <sup>-4</sup>	≤130 × 10 <sup>-4</sup>	≤300 × 10 <sup>-4</sup>		
	≤75 × 10 <sup>-4</sup>	≤130 × 10 <sup>-4</sup>	-		
Rated voltage pulse slope (dU/dt) <sub>R</sub> P = 10 mm P = 15 mm P = 22.5 mm P = 27.5 mm	at 63 V (DC)	at 100 V (DC)	at 250 V (DC)	at 400 V (DC)	at 630 V (DC)
	30 V/μs	30 V/μs	70 V/μs	110 V/μs	70 V/μs
		20 V/μs	28 V/μs	44 V/μs	70 V/μs
		8 V/μs	12 V/μs	20 V/μs	28 V/μs
R between leads, for C ≤ 0.33 μF: at 10 V; 1 minute at 100 V; 1 minute at 500 V; 1 minute	>15000 MΩ	>15000 MΩ	>30000 MΩ	>30000 MΩ	>30000 MΩ
RC between leads, for C > 0.33 μF: at 10 V; 1 minute at 100 V; 1 minute at 500 V; 1 minute	>5000 s	>5000 s	>10000 s	>10000 s	>10000 s
R between interconnecting leads and casing; at 10 V; 1 minute at 100 V; 1 minute at 500 V; 1 minute	>30000 MΩ	>30000 MΩ	>30000 MΩ	>30000 MΩ	>30000 MΩ
Withstanding (DC) voltage (cut off current 10 mA); rise time 100 V/s	100 V; 1 minute	160 V; 1 minute	400 V; 1 minute	640 V; 1 minute	1008 V; 1 minute
Withstanding (DC) voltage between leads and case	200 V; 1 minute	200 V; 1 minute	500 V; 1 minute	800 V; 1 minute	1260 V; 1 minute



$U_{Rdc} = 63\text{ V}; U_{Rac} = 40\text{ V}$

C ( $\mu\text{F}$ )	DIMENSIONS $w_{max} \times h_{max} \times l_{max}$ (mm)	MASS (g)	CATALOG NUMBER 2222 368 ..... AND PACKAGING					
			LOOSE IN BOX			REEL	LOOSE IN BOX	
			$l_t =$ 4.0 +1.0/-0.5 mm	short leads	long leads	SPQ	$l_t =$ 4.0 +1.0/-0.5 mm	SPQ
			C-tol = $\pm 10\%$				C-tol = $\pm 10\%$	
last 5 digits of catalog number	SPQ	SPQ	SPQ	last 5 digits of catalog number	SPQ			
<b>Pitch = 10.0 <math>\pm</math>0.4 mm; <math>d_t = 0.60 \pm 0.06</math> mm</b>							<b>lock lead</b>	
0.22	4.2 $\times$ 13.2 (15.5) $\times$ 12.5	0.5	15224	2000	1000	1300	90316	1100
0.27	4.0 $\times$ 12.8 (15.5) $\times$ 12.5	0.5	15274	2000	1000	1300	90317	1100
0.33	4.3 $\times$ 13.1 (15.5) $\times$ 12.5	0.5	15334	2000	1000	1300	90318	1100
0.39	4.2 $\times$ 12.9 (15.5) $\times$ 12.5	0.5	15394	2000	1000	1300	90319	1100
0.47	4.3 $\times$ 13.4 (16.0) $\times$ 12.5	0.5	15474	2000	1000	1200	90321	1000
0.56	4.7 $\times$ 13.7 (16.0) $\times$ 12.5	0.5	15564	2000	1000	1200	90322	1000
0.68	5.1 $\times$ 14.1 (16.5) $\times$ 12.5	0.6	15684	2000	1000	1100	90323	1500
0.82	5.5 $\times$ 14.5 (17.0) $\times$ 12.5	0.6	15824	2000	1000	1000	90324	1250
1	6.0 $\times$ 15.0 (17.5) $\times$ 12.5	0.8	15105	2000	1000	900	90325	1250

$U_{Rdc} = 100\text{ V}; U_{Rac} = 63\text{ V}$

C ( $\mu\text{F}$ )	DIMENSIONS $w_{max} \times h_{max} \times l_{max}$ (mm)	MASS (g)	CATALOG NUMBER 2222 368 ..... AND PACKAGING					
			LOOSE IN BOX			REEL	LOOSE IN BOX	
			$l_t =$ 4.0 +1.0/-0.5 mm	short leads	long leads	SPQ	$l_t =$ 4.0 +1.0/-0.5 mm	SPQ
			C-tol = $\pm 10\%$				C-tol = $\pm 10\%$	
last 5 digits of catalog number	SPQ	SPQ	SPQ	last 5 digits of catalog number	SPQ			
<b>Pitch = 10.0 <math>\pm</math>0.4 mm; <math>d_t = 0.60 \pm 0.06</math> mm</b>							<b>lock lead</b>	
0.056	4.0 $\times$ 13.0 (15.0) $\times$ 12.5	0.4	25563	2000	1000	1500	90205	1250
0.068			25683				90206	
0.082	3.7 $\times$ 12.7 (15.0) $\times$ 12.5	0.4	25823	2000	1000	1500	90207	1250
0.1	4.0 $\times$ 13.0 (15.0) $\times$ 12.5	0.4	25104	2000	1000	1500	90208	1250
0.12	4.3 $\times$ 13.3 (15.0) $\times$ 12.5	0.4	25124	2000	1000	1500	90209	1250
0.15	3.9 $\times$ 12.9 (15.0) $\times$ 12.5	0.4	25154	2000	1000	1500	90211	1250
0.18	4.2 $\times$ 13.2 (15.5) $\times$ 12.5	0.5	25184	2000	1000	1300	90212	1100
0.22	4.5 $\times$ 13.6 (16.0) $\times$ 12.5	0.5	25224	2000	1000	1200	90213	1000
<b>Pitch = 15.0 <math>\pm</math>0.4 mm; <math>d_t = 0.80 \pm 0.08</math> mm</b>							<b>lock lead</b>	
0.27	5.0 $\times$ 14.0 (17.0) $\times$ 17.5	0.6	25274	2000	1000	1200	90214	1750
0.33			25334				90215	
0.39			25394				90216	
0.47	5.5 $\times$ 14.5 (17.5) $\times$ 17.5	0.7	25474	2000	1000	1100	90217	1500
0.56			25564				90218	
0.68	6.0 $\times$ 15.0 (18.0) $\times$ 17.5	0.9	25684	2000	1000	1000	90219	1500
0.82	6.5 $\times$ 15.5 (18.5) $\times$ 17.5	1.0	25824	1000	1000	900	90221	1250
1	7.5 $\times$ 16.5 (19.5) $\times$ 17.5	1.3	25105	1000	1000	800	90222	1000



C ( $\mu$ F)	DIMENSIONS $w_{max} \times h_{max} \times l_{max}$ (mm)	MASS (g)	CATALOG NUMBER 2222 368 ..... AND PACKAGING					
			LOOSE IN BOX			REEL	LOOSE IN BOX	
			$l_t =$ 4.0 +1.0/-0.5 mm	short leads	long leads	SPQ	$l_t =$ 4.0 +1.0/-0.5 mm	SPQ
			C-tol = $\pm$ 10%	SPQ	SPQ		C-tol = $\pm$ 10%	
last 5 digits of catalog number	SPQ	SPQ	SPQ			last 5 digits of catalog number	SPQ	
<b>Pitch = 22.5 <math>\pm</math>0.4 mm; <math>d_t = 0.80 \pm 0.08</math> mm</b>							<b>lock lead</b>	
1.2	6.0 $\times$ 18.0 (21.0) $\times$ 26.0	2.5	25125	1000	1000	650	90223	1000
1.5			25155				90224	
1.8	7.0 $\times$ 19.0 (22.0) $\times$ 26.0	3.2	25185	1000	1000	650	90225	900
2.2	7.5 $\times$ 19.5 (23.0) $\times$ 26.0	3.5	25225	1000	500	600	90226	750
2.7	8.5 $\times$ 21.5 (24.0) $\times$ 26.0	4.1	25275	1000	500	500	90227	600
3.3	9.0 $\times$ 22.0 (24.5) $\times$ 26.0	4.5	25335	1000	500	450	90228	600
<b>Pitch = 27.5 <math>\pm</math>0.4 mm; <math>d_t = 0.80 \pm 0.08</math> mm</b>							<b>lock lead</b>	
3.9	9.0 $\times$ 22.0 (24.0) $\times$ 30.0	4.8	25395	500	500		90229	500
4.7	10.0 $\times$ 23.0 (25.0) $\times$ 30.0	5.5	25475	500	500		90178	400
5.6	11.0 $\times$ 24.0 (26.0) $\times$ 30.0	6.2	25565	500	250		90231	350
6.8	12.0 $\times$ 25.0 (27.0) $\times$ 30.0	6.8	25685	500	250		90232	350

$U_{Rdc} = 250$  V;  $U_{Rac} = 160$  V

C ( $\mu$ F)	DIMENSIONS $w_{max} \times h_{max} \times l_{max}$ (mm)	MASS (g)	CATALOG NUMBER 2222 368 ..... AND PACKAGING					
			LOOSE IN BOX			REEL	LOOSE IN BOX	
			$l_t =$ 4.0 +1.0/-0.5 mm	short leads	long leads	SPQ	$l_t =$ 4.0 +1.0/-0.5 mm	SPQ
			C-tol = $\pm$ 10%	SPQ	SPQ		C-tol = $\pm$ 10%	
last 5 digits of catalog number	SPQ	SPQ	SPQ			last 5 digits of catalog number	SPQ	
<b>Pitch = 10.0 <math>\pm</math>0.4 mm; <math>d_t = 0.60 \pm 0.06</math> mm</b>							<b>lock lead</b>	
0.027	4.2 $\times$ 13.0 (15.0) $\times$ 12.5	0.4	45273	2000	1000	1500	90233	1250
0.033	4.6 $\times$ 13.0 (15.0) $\times$ 12.5	0.5	45333	2000	1000	1300	90234	1250
0.039	4.0 $\times$ 13.0 (15.0) $\times$ 12.5	0.4	45393	2000	1000	1500	90235	1250
0.047	4.5 $\times$ 13.5 (15.5) $\times$ 12.5	0.5	45473	2000	1000	1500	90176	1250
0.056	4.6 $\times$ 13.5 (15.5) $\times$ 12.5	0.5	45563	2000	1000	1300	90236	1100
0.068			45683				90237	
0.082	4.4 $\times$ 13.4 (16.0) $\times$ 12.5	0.5	45823	2000	1000	1200	90238	1000
0.1	4.7 $\times$ 13.7 (16.0) $\times$ 12.5	0.5	45104	2000	1000	1200	90177	1000
<b>Pitch = 15.0 <math>\pm</math>0.4 mm; <math>d_t = 0.80 \pm 0.08</math> mm</b>							<b>lock lead</b>	
0.12	5.0 $\times$ 14.0 (17.0) $\times$ 17.5	0.6	45124	2000	1000	1200	90239	1750
0.15			45154				90241	
0.18	5.5 $\times$ 14.5 (17.5) $\times$ 17.5	0.7	45184	2000	1000	1100	90242	1500
0.22	6.0 $\times$ 15.0 (18.0) $\times$ 17.5	0.9	45224	2000	1000	1000	90243	1500
0.27	6.0 $\times$ 15.5 (18.5) $\times$ 17.5	1.0	45274	2000	1000	900	90244	1250
0.33	6.8 $\times$ 16.0 (19.0) $\times$ 17.5	1.2	45334	1000	1000	800	90245	1250
<b>Pitch = 22.5 <math>\pm</math>0.4 mm; <math>d_t = 0.80 \pm 0.08</math> mm</b>							<b>lock lead</b>	
0.39	5.0 $\times$ 17.0 (20.0) $\times$ 26.0	1.8	45394	1000	1000	800	90246	1250
0.47	5.5 $\times$ 17.5 (20.5) $\times$ 26.0	2.2	45474	1000	1000	750	90247	1250
0.56	6.0 $\times$ 18.0 (21.0) $\times$ 26.0	2.5	45564	1000	1000	650	90248	1000
0.68	6.6 $\times$ 18.5 (21.5) $\times$ 26.0	2.8	45684	1000	1000	600	90249	1000
0.82	7.2 $\times$ 19.0 (22.0) $\times$ 26.0	3.2	45824	1000	1000	550	90251	900
1	8.0 $\times$ 20.0 (23.0) $\times$ 26.0	3.8	45105	1000	500	500	90252	750



Metallized Polyester Film Capacitors Vishay BCcomponents  
MKT Radial Epoxy Lacquered Type

C ( $\mu$ F)	DIMENSIONS $W_{max} \times h_{max} \times l_{max}$ (mm)	MASS (g)	CATALOG NUMBER 2222 368 ..... AND PACKAGING					
			LOOSE IN BOX			REEL	LOOSE IN BOX	
			$l_t =$ 4.0 +1.0/-0.5 mm	short leads	long leads	SPQ	$l_t =$ 4.0 +1.0/-0.5 mm	SPQ
			C-tol = $\pm$ 10%	SPQ	SPQ		C-tol = $\pm$ 10%	
last 5 digits of catalog number	SPQ	SPQ	SPQ			last 5 digits of catalog number	SPQ	
<b>Pitch = 27.5 <math>\pm</math>0.4 mm; <math>d_t = 0.80 \pm 0.08</math> mm</b>						<b>lock lead</b>		
1.2	8.0 $\times$ 21.0 (23.0) $\times$ 30.0	4.1	45125	500	500		90253	600
1.5	9.0 $\times$ 22.0 (25.0) $\times$ 30.0	4.8	45155	500	500		90254	450
1.8	10.0 $\times$ 23.0 (26.0) $\times$ 30.0	5.5	45185	500	500		90255	400
2.2	11.0 $\times$ 24.0 (27.0) $\times$ 30.0	6.2	45225	500	250		90256	350

$U_{Rdc} = 400$  V;  $U_{Rac} = 220$  V

C ( $\mu$ F)	DIMENSIONS $W_{max} \times h_{max} \times l_{max}$ (mm)	MASS (g)	CATALOG NUMBER 2222 368 ..... AND PACKAGING					
			LOOSE IN BOX			REEL	LOOSE IN BOX	
			$l_t =$ 4.0 +1.0/-0.5 mm	short leads	long leads	SPQ	$l_t =$ 4.0 +1.0/-0.5 mm	SPQ
			C-tol = $\pm$ 10%	SPQ	SPQ		C-tol = $\pm$ 10%	
last 5 digits of catalog number	SPQ	SPQ	SPQ			last 5 digits of catalog number	SPQ	
<b>Pitch = 10.0 <math>\pm</math>0.4 mm; <math>d_t = 0.60 \pm 0.06</math> mm</b>						<b>lock lead</b>		
0.001	4.5 $\times$ 13.5 (15.5) $\times$ 12.5	0.5	55102	2000	1000	1500	90257	1100
0.0012			55122				90258	
0.0015			55152				90259	
0.0018			55182				90261	
0.0022	4.0 $\times$ 13.0 (15.5) $\times$ 12.5	0.5	55222	2000	1000	1500	90262	1100
0.0027	4.3 $\times$ 13.3 (15.5) $\times$ 12.5	0.5	55272	2000	1000	1500	90263	1100
0.0033	4.6 $\times$ 13.6 (15.5) $\times$ 12.5	0.5	55332	2000	1000	1500	90264	1100
0.0039	4.0 $\times$ 13.0 (15.5) $\times$ 12.5	0.5	55392	2000	1000	1500	90265	1100
0.0047	4.1 $\times$ 13.2 (15.5) $\times$ 12.5	0.5	55472	2000	1000	1500	90266	1100
0.0056	4.6 $\times$ 13.6 (15.5) $\times$ 12.5	0.5	55562	2000	1000	1500	90267	1100
0.0068			55682				90268	
0.0082			55822				90269	
0.01			55103				90271	
0.012	4.0 $\times$ 13.0 (15.5) $\times$ 12.5	0.5	55123	2000	1000	1500	90272	1100
0.015	4.1 $\times$ 13.0 (15.5) $\times$ 12.5	0.5	55153	2000	1000	1300	90273	1100
0.018	4.4 $\times$ 13.0 (15.5) $\times$ 12.5	0.5	55183	2000	1000	1500	90274	1100
0.022	4.2 $\times$ 12.9 (15.5) $\times$ 12.5	0.5	55223	2000	1000	1500	90175	1100
0.027	4.2 $\times$ 13.2 (15.5) $\times$ 12.5	0.5	55273	2000	1000	1300	90275	1100
0.033	4.6 $\times$ 13.7 (15.5) $\times$ 12.5	0.5	55333	2000	1000	1300	90188	1100
<b>Pitch = 15.0 <math>\pm</math>0.4 mm; <math>d_t = 0.80 \pm 0.08</math> mm</b>						<b>lock lead</b>		
0.039	5.0 $\times$ 13.9 (16.5) $\times$ 17.5	0.6	55393	2000	1000	1200	90276	2000
0.047	5.4 $\times$ 14.5 (17.0) $\times$ 17.5	0.7	55473	2000	1000	1200	90277	1750
0.056	5.0 $\times$ 13.7 (16.5) $\times$ 17.5	0.6	55563	2000	1000	1200	90278	2000
0.068	5.0 $\times$ 13.5 (16.5) $\times$ 17.5	0.6	55683	2000	1000	1200	90279	2000
0.082	4.8 $\times$ 14.0 (16.5) $\times$ 17.5	0.6	55823	2000	1000	1100	90281	2000
0.1	5.3 $\times$ 14.5 (17.5) $\times$ 17.5	0.7	55104	2000	1000	1000	90186	1500
0.12	5.7 $\times$ 15.0 (18.0) $\times$ 17.5	0.9	55124	1000	1000	900	90282	1500
0.15	6.4 $\times$ 15.5 (18.5) $\times$ 17.5	1.0	55154	1000	1000	800	90187	1250



C ( $\mu$ F)	DIMENSIONS $w_{max} \times h_{max} \times l_{max}$ (mm)	MASS (g)	CATALOG NUMBER 2222 368 ..... AND PACKAGING					
			LOOSE IN BOX			REEL	LOOSE IN BOX	
			$l_t =$ 4.0 +1.0/-0.5 mm	short leads	long leads	SPQ	$l_t =$ 4.0 +1.0/-0.5 mm	SPQ
			C-tol = $\pm$ 10%	SPQ	SPQ		C-tol = $\pm$ 10%	
last 5 digits of catalog number	SPQ	SPQ	SPQ			last 5 digits of catalog number	SPQ	
<b>Pitch = 22.5 <math>\pm</math>0.4 mm; <math>d_t = 0.80 \pm 0.08</math> mm</b>							<b>lock lead</b>	
0.18	5.6 $\times$ 17.5 (20.5) $\times$ 26.0	2.2	55184	1000	1000	800	90283	1250
0.22	6.3 $\times$ 18.5 (21.5) $\times$ 26.0	2.8	55224	1000	1000	650	90284	1000
0.27	6.0 $\times$ 18.0 (21.0) $\times$ 26.0	2.5	55274	1000	1000	650	90285	1000
0.33	6.4 $\times$ 18.5 (21.5) $\times$ 26.0	2.8	55334	1000	1000	650	90286	1000
0.39	7.1 $\times$ 19.0 (21.5) $\times$ 26.0	2.8	55394	1000	1000	550	90287	900
0.47	8.0 $\times$ 20.0 (22.5) $\times$ 26.0	3.8	55474	1000	500	500	90179	750
<b>Pitch = 27.5 <math>\pm</math>0.4 mm; <math>d_t = 0.80 \pm 0.08</math> mm</b>							<b>lock lead</b>	
0.56	7.5 $\times$ 20.5 (22.5) $\times$ 30.0	3.8	55564	500	500		90288	600
0.68	8.5 $\times$ 21.5 (23.5) $\times$ 30.0	4.5	55684	500	500		90289	500
0.82	9.5 $\times$ 22.5 (24.5) $\times$ 30.0	5.2	55824	500	500		90291	450
1	10.5 $\times$ 23.5 (26.5) $\times$ 30.0	5.8	55105	500	250		90292	350

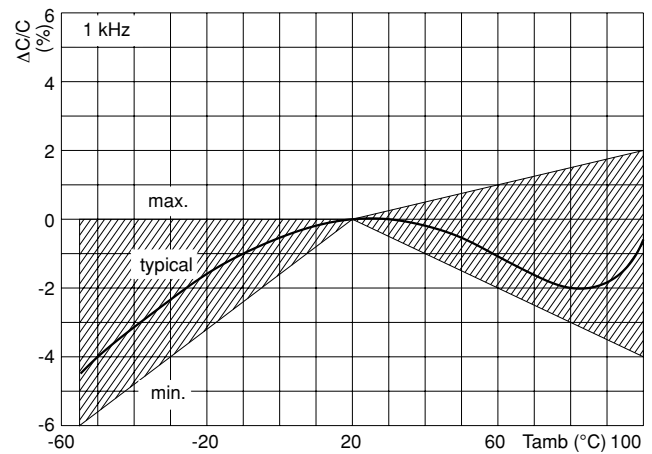
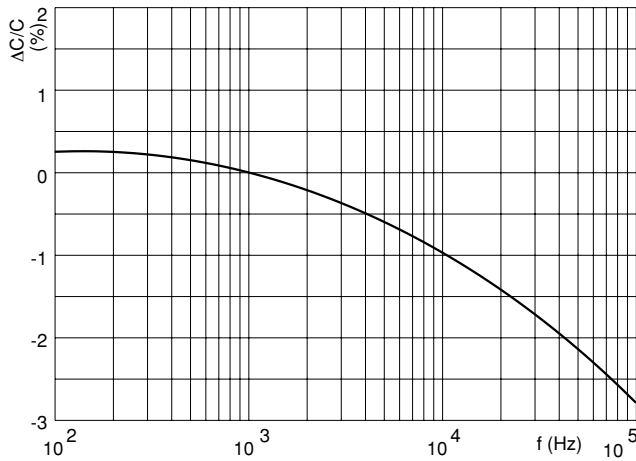
$U_{Rdc} = 630$  V;  $U_{Rac} = 250$  V

C ( $\mu$ F)	DIMENSIONS $w_{max} \times h_{max} \times l_{max}$ (mm)	MASS (g)	CATALOG NUMBER 2222 368 ..... AND PACKAGING					
			LOOSE IN BOX			REEL	LOOSE IN BOX	
			$l_t =$ 4.0 +1.0/-0.5 mm	short leads	long leads	SPQ	$l_t =$ 4.0 +1.0/-0.5 mm	SPQ
			C-tol = $\pm$ 10%	SPQ	SPQ		C-tol = $\pm$ 10%	
last 5 digits of catalog number	SPQ	SPQ	SPQ			last 5 digits of catalog number	SPQ	
<b>Pitch = 10.0 <math>\pm</math>0.4 mm; <math>d_t = 0.60 \pm 0.06</math> mm</b>							<b>lock lead</b>	
0.01	4.3 $\times$ 13.1 (15.5) $\times$ 12.5	0.5	65103	2000	1000	1300	90293	1100
0.012	4.6 $\times$ 13.4 (16.0) $\times$ 12.5	0.5	65123	2000	1000	1200	90294	1000
0.015	4.9 $\times$ 13.9 (16.5) $\times$ 12.5	0.6	65153	2000	1000	1100	90295	1500
0.018	5.3 $\times$ 14.3 (17.0) $\times$ 12.5	0.6	65183	2000	1000	1000	90296	1250
0.022	5.9 $\times$ 14.9 (17.5) $\times$ 12.5	0.8	65223	2000	1000	900	90297	1250
<b>Pitch = 15.0 <math>\pm</math>0.4 mm; <math>d_t = 0.80 \pm 0.08</math> mm</b>							<b>lock lead</b>	
0.027	5.5 $\times$ 14.5 (17.5) $\times$ 17.5	0.7	65273	2000	1000	1100	90298	1500
0.033	6.0 $\times$ 15.0 (18.0) $\times$ 17.5	0.9	65333	2000	1000	1000	90299	1500
0.039	6.3 $\times$ 15.5 (18.5) $\times$ 17.5	1.0	65393	2000	1000	900	90301	1250
0.047	7.0 $\times$ 16.0 (19.0) $\times$ 17.5	1.2	65473	2000	1000	800	90302	1250
0.056	7.5 $\times$ 16.5 (19.5) $\times$ 17.5	1.3	65563	1000	1000	800	90303	1000
0.068	8.0 $\times$ 17.0 (20.0) $\times$ 17.5	1.4	65683	1000	1000	750	90304	1000
<b>Pitch = 22.5 <math>\pm</math>0.4 mm; <math>d_t = 0.80 \pm 0.08</math> mm</b>							<b>lock lead</b>	
0.082	6.1 $\times$ 18.0 (21.0) $\times$ 26.0	2.5	65823	1000	1000	750	90305	1000
0.1	7.0 $\times$ 19.0 (22.0) $\times$ 26.0	3.2	65104	1000	1000	650	90306	900
0.12	7.2 $\times$ 19.5 (22.5) $\times$ 26.0	3.5	65124	1000	1000	550	90307	750
0.15	8.0 $\times$ 21.0 (23.0) $\times$ 26.0	3.8	65154	1000	500	500	90308	750
0.18	9.0 $\times$ 22.0 (24.0) $\times$ 26.0	4.5	65184	1000	500	450	90309	600
0.22	10.0 $\times$ 23.0 (25.0) $\times$ 26.0	5.2	65224	1000	500	400	90311	550

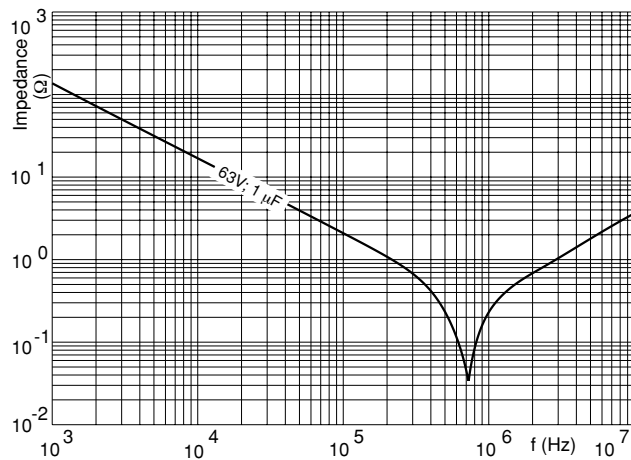


C ( $\mu$ F)	DIMENSIONS $w_{max} \times h_{max} \times l_{max}$ (mm)	MASS (g)	CATALOG NUMBER 2222 368 ..... AND PACKAGING					
			LOOSE IN BOX			REEL	LOOSE IN BOX	
			$l_t =$ 4.0 +1.0/-0.5 mm	short leads	long leads	SPQ	$l_t =$ 4.0 +1.0/-0.5 mm	SPQ
			C-tol = $\pm 10\%$				C-tol = $\pm 10\%$	
last 5 digits of catalog number	SPQ	SPQ	SPQ	last 5 digits of catalog number	SPQ			
<b>Pitch = 27.5 <math>\pm</math>0.4 mm; <math>d_t = 0.80 \pm 0.08</math> mm</b>					<b>lock lead</b>			
0.27	10.0 $\times$ 23.0 (25.0) $\times$ 30.0	5.5	65274	500	500		90312	400
0.33	11.5 $\times$ 24.5 (26.5) $\times$ 30.0	6.5	65334	500	250		90313	350
0.39	12.5 $\times$ 25.5 (28.5) $\times$ 30.0	7.1	65394	500	250		90314	300
0.47	14.0 $\times$ 27.0 (30.0) $\times$ 30.0	8.2	65474	250	250		90315	250

**CAPACITANCE**



**IMPEDANCE**



## MAXIMUM RMS VOLTAGE (SINEWAVE) AS A FUNCTION OF FREQUENCY

